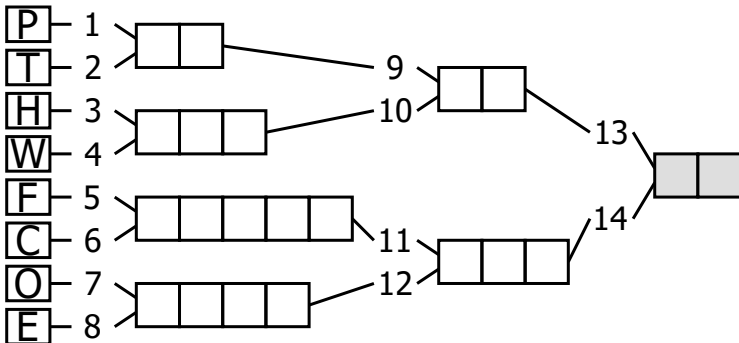


# Making Connections

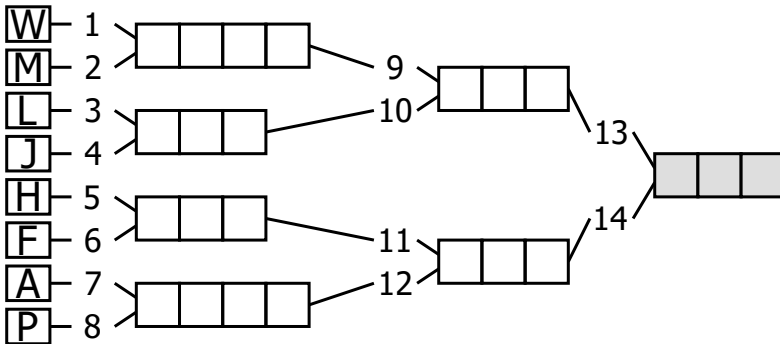
by Dustin Foley

Even though we're spending Christmas apart, we can still connect with each other. In each of these three puzzles, the clues describe the answer that is formed by connecting the piece to the left and the piece to the right of the number. After you fill in all the missing letters, you can combine the three shaded words to reveal an appropriate answer.

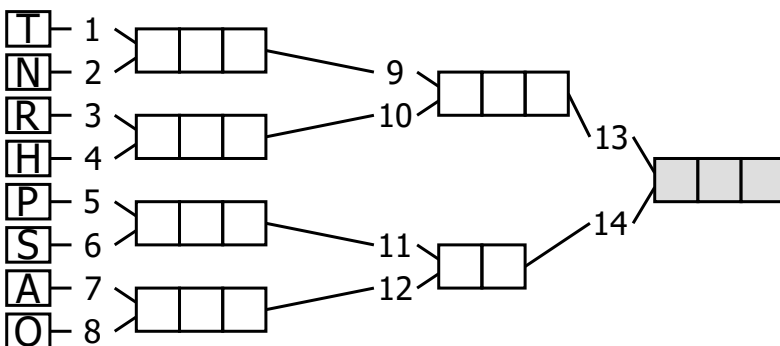
## #1



## #2



## #3



### Puzzle #1

1. Sound of a balloon bursting
2. Uppermost part, or a spinning toy
3. \_\_\_ and seek
4. Broad
5. Twitch a little, due to fear
6. Grasp tightly, or manage to win
7. Giving approval, for short
8. \_\_\_ out (just barely managing)
9. White gemstone
10. Perfect
11. The most crucial part
12. Major crime boss, or a Daredevil villain
13. Type of singing voice
14. Type of bean

### Puzzle #2

1. A room usually has four of these
2. Large shopping areas
3. Contents of a volcano
4. Coffee nickname, or a programming language
5. What a barber cuts
6. Festival
7. Came up, either from bed or in conversation
8. Non-poetic writing
9. Talented athlete, or a Smash Mouth song
10. Movie with blue aliens
11. Movie with an athletic dog
12. Important word in the film "Citizen Kane"
13. Goal
14. Financial plan

### Puzzle #3

1. Send a typed message
2. Subsequent
3. Cord used for climbing or tying
4. Optimistic feeling
5. Storyline
6. Opening for putting coins into a machine
7. Word at the end of a prayer
8. Sign of future events
9. Background actors
10. Classy musical productions
11. Type of flower
12. Lists of options
13. More impulsive, or a slice of bacon
14. Worker at a wedding or theater

Final Answer: \_\_\_\_\_